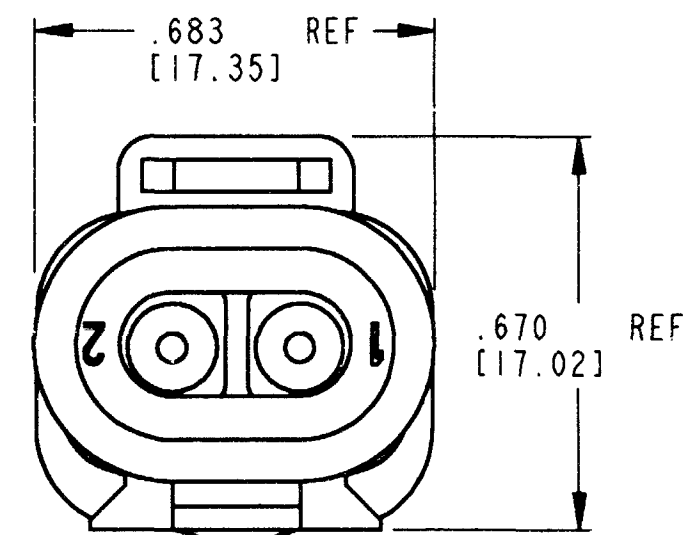
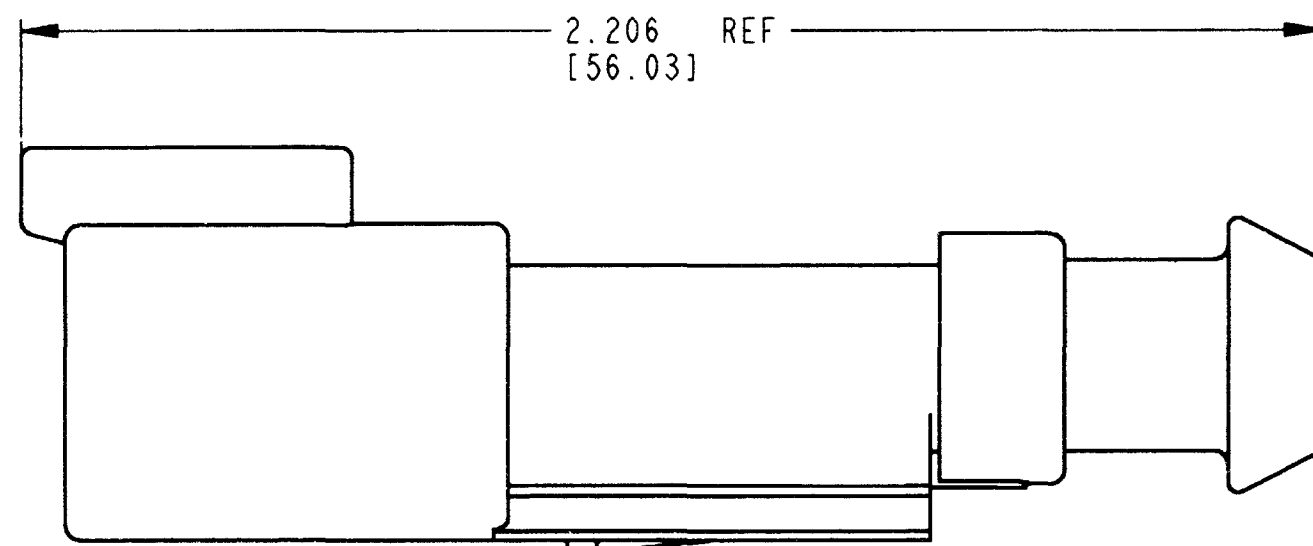


REV NC	DT04-2P-E008	REVISIONS		
SYM	DESCRIPTION	DATE	APPROVED	
NC	NEW RELEASE PER E.O. A14881	8-18-85	RDR	



NOTES:
 1. ALL DIMENSIONS ARE FOR REFERENCE ONLY.
 2. ALL DIMENSIONS ARE INCHES (METRIC).

SIGNATURE & DATE		2 WAY RECEPTACLE -E008 MOD. DT SERIES	CP	MATL. CODE
DR	C. WOODRUFF 04AUG95		The Deutch Company DEUTSCH I.P.D. 37140 INDUSTRIAL AVE. HEMET, CALIF. 92545	
CHK	<i>[Signature]</i>		B	DT04-2P-E008
PE	8/18/85			
APPD	<i>[Signature]</i> 8-18-85	ENVELOPE	DWG SIZE	CODE 11139
SCALE	NONE	WT	SHEET	OF